



(Shown with EF11)

KS Series

6, 12 & 24 Volt

High Impact Enclosure Power Unit

TYPE: _____
 CATALOG #: _____
 NOTES: _____

Features

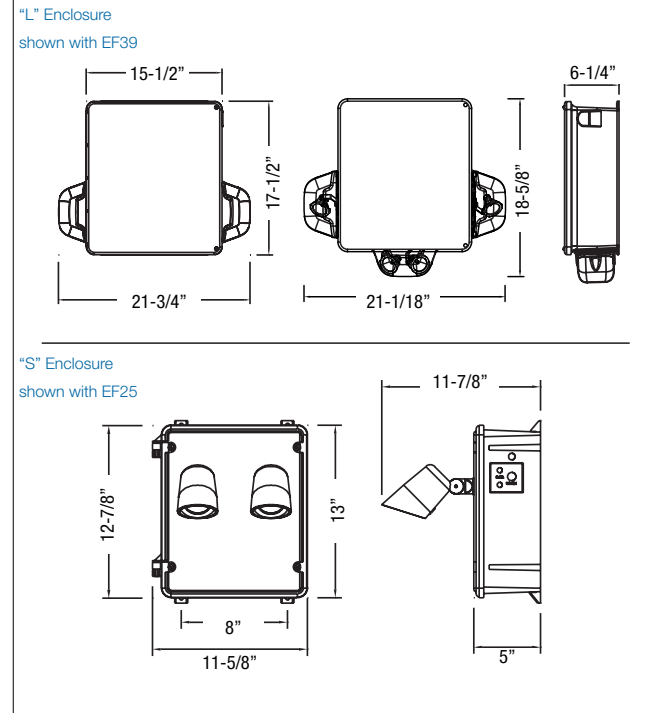
- Each unit comes with two (2) 9W high intensity incandescent lamps (standard)
- Both the "S" and "L" enclosure are corrosion resistant. Both include separate battery compartments, fully gasketed door and stainless steel hardware. The "S" enclosure is constructed of high impact thermoplastic and the "L" enclosure is constructed of fiberglass and is NEMA 3R
- Available with sealed, maintenance-free Nickel-Cadmium or Lead-Calcium batteries
- PulsePlus Charger circuitry offers 120/277 volt input 60 Hz, 0.3/0.15A (other inputs available), fused output circuit(s), dual diagnostic indicator lights, temperature compensation, sealed relay, low voltage battery disconnect, brownout protection and lockout (automatic battery connect)
- UL924 Listed
- 3-year limited warranty
 Detailed warranty terms located at: www.emergi-lite.com/usa/files/EL_Warranty.pdf

Accessories (order as a separate item)

DESCRIPTION	SUFFIX
Wire Guard (Small enclosure)	WG3-E
Wire Guard (Large enclosure)	WG4-E

Dimensions

Dimensions are approximate and subject to change.



Unit Rating

UNIT EQUIPMENT - NO REMOTE CAPABILITY							
Sealed Maintenance-Free Battery Types	D.C. Voltage	Model Number	Watts to 87-1/2% of rated battery voltage*				Enclosure Size
			1-1/2 hrs	2 hrs	3 hrs	4 hrs	
Nickel-Cadmium	6	KSC18-2-F	18	12	10	7	S
UNIT EQUIPMENT - WITH REMOTE CAPABILITY							
Nickel-Cadmium	6	KSC25-2-F	25	18	9	5	S
	12	12KSC36-2-F	36	21	21	6	S
	12	12KSC50-2-F	50	36	18	10	S
	12	12KSC100-2-F	100	73	37	20	S
	24	24KSC100-2-F	100	73	37	20	S
Lead-Calcium	6	KSM27-2-F	27	18	10	6	S
	6	KSM54-2-F	54	37	21	12	S
	6	KSM81-2-F	81	54	30	18	S
	6	KSM110-2-F	110	72	40	24	S
	12	12KSM54-2-F	54	37	21	12	S
	12	12KSM110-2-F	110	72	40	24	S
	24	24KSM110-2-F	110	72	40	24	S

*National Electrical Code Specification

TYPE: _____
 CATALOG #: _____
 NOTES: _____

NEMA-3R



nexus



KS Series

6, 12 & 24 Volt
 High Impact Enclosure Power Unit



INDUSTRIAL

How to Order

SERIES/ VOLTAGE	UNIT CAPACITY	# OF HEADS	LAMP	ENCLOSURE TYPE	OPTIONS
KS= 6V	C18 = 6V-18W Ni-Cd* C25 = 6V-25W Ni-Cd* M27 = 6V-27W Lead-Calcium M54 = 6V-54W Lead-Calcium M81 = 6V-81W Lead-Calcium M110 = 6V-110W Lead-Calcium	-0= No head -1= 1 head -2= 2 heads -3= 3 heads -125 = 1 Weather proof head -225 = 2 Weather proof heads -139 = 1 X single EF39 lamp (bottom mount)* -239 = 1 X double EF39 lamp (bottom mount)* -S39 = 2 X single EF39 lamp (side mount)* -1S39 = 3 X single EF39 lamp (2 sides and bottom)* -2S39 = 1 X double EF39 lamp & 2 X single EF39 lamp*	EF11 Lamp Head Blank = 6V-9W, 12V-9W, 24V-9W incandescent wedge base H _ = Halogen Bi-Pin I _ = Incandescent DC-bayonet U _ = Incandescent sealed-beam X _ = Halogen sealed-beam Z _ = Incandescent wedge	F = Fiber glass or high impact thermoplastic	-AD = Advanced Diagnostics (audible)* -ADNA = Advanced Diagnostics (non-audible)* NEX = Nexus® wired* NEXRF = Nexus® wireless* -D1 = Time Delay (5 minutes) -D2 = Time Delay (10 minutes) -D3 = Time Delay (15 minutes) -VR = Tamper-proof screws -TM = Top mounted heads** -208V = Input 208VAC, 50/60Hz -L = Large enclosure***
			EF25 Lamp Head (-125, -225) LI = 12V-5W, MR16 LED LJ = 12V-6W, MR16 LED MA = 12V-20W, Aluminum MR16 halogen MB = 12V-35W, MR16 halogen MC = 12V-50W, MR16 halogen MD = 24V-20W, MR16 halogen ME = 24V-35W, MR16 halogen MF = 24V-50W, MR16 halogen MG = 12V-20W, DICH MR16 MI = 6V-6W, MR16 halogen MJ = 6V-10W, MR16 halogen MK = 12V-12W, MR16 halogen MM = 12V-50W, MR16 halogen high-output MN = 24V-20W, MR16 Aluminized MS = 24V-12W, MR16 halogen MW = 12V-20W, MR16 halogen high-output		
			EF39 Lamp Head (Fiberglass only) (-139, -239, -S39, -1S39, 2S39) MD = 24V-20W MR16 halogen MI = 6V-6W MR16 halogen MJ = 6V-10W MR16 halogen MK = 12V-12W MR16 halogen MS = 24V-12W MR16 halogen MW = 12V-20W MR16 halogen high-output LA = 6V-4W, MR16 LED LG = 12V-4W, MR16 LED LI = 12V-5W, MR16 LED LJ = 12V-6W, MR16 LED LL = 24V-4W, MR16 LED		
12KS= 12V	C36 = 12V-36W Ni-Cd* C50 = 12V-50W Ni-Cd* C100 = 12V-100W Ni-Cd* M54 = 12V-54W Lead-Calcium M110 = 12V-110W Lead-Calcium				
24KS= 24V	C100 = 24V-100W Ni-Cd M110 = 24V-110W Lead-Calcium				

* -139, -239, -S39, -1S39 & -2S39 only Available with "L" enclosure type

NOTE: For a complete list of available lamp types, please refer to the lamp data on p. 140-141

* Minimum lamp load required: 20% of unit capacity, not available on the 24KSC100 model
 ** Thermoplastic only
 *** Required when using EF39 heads

Example: **KS18-2HB-AD**